

# DE VIELLE<sup>®</sup>

FIRESIDE

## Ash Vac

INSTRUCTION MANUAL

Models: DEFAV007



PLEASE RETAIN THIS MANUAL FOR FUTURE REFERENCE

Congratulations on the purchase of this high-quality product. Please read this operating instruction carefully, before you use the appliance. It gives important notes for the use and maintenance of the appliance. Please retain for future reference.

**Description of the appliance:**

- Powerful and compact
- Multiple air filter system guarantees a hygienic cleaning.
- User-friendly design

**Appliance figure:**



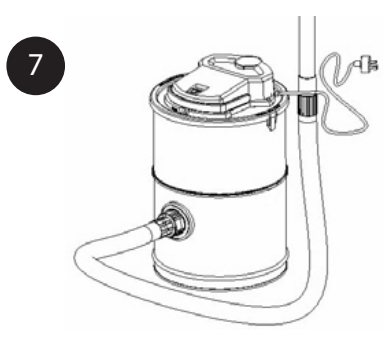
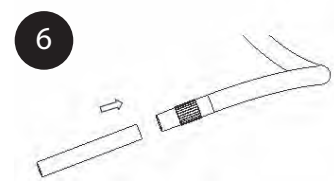
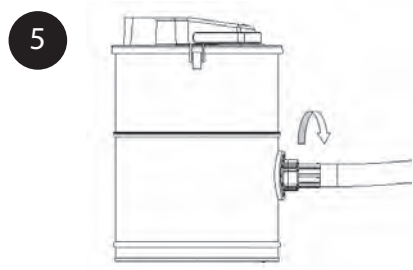
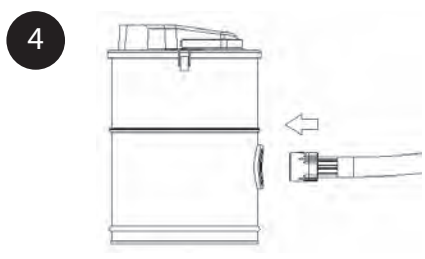
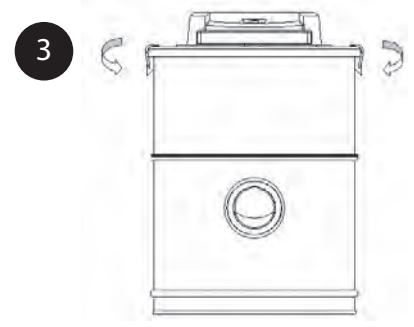
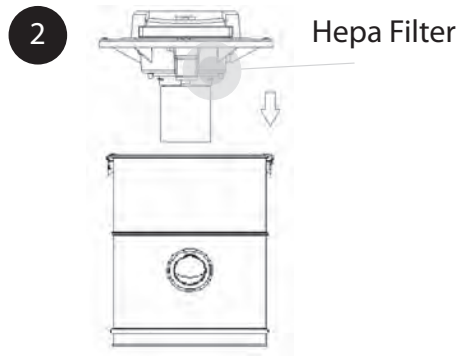
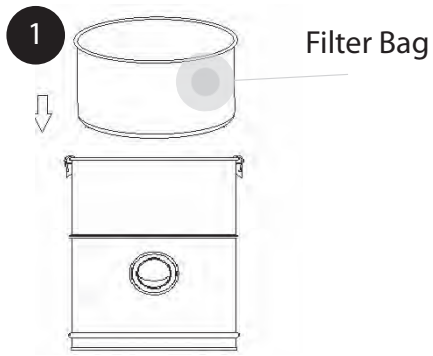
# Important Safety Instructions

If the supply cord is damaged, it must be replaced by the manufacturer, its service agent or a similarly qualified person.

This appliance is not intended for use by persons (including children) with reduced physical, sensory or mental capabilities or lack of experience and knowledge, unless they have been given supervision or instruction concerning use of the appliance by a person responsible for their safety. Children should be supervised to ensure that they do not play with the appliance.

- Do not vacuum any sharp-edged, hot or incandescent materials.
- The appliance should not be exposed to heat.
- For use with cold ashes only!
- Do not vacuum any moist or liquid substances. Never immerse the appliance in water.
- Unplug the appliance from the mains supply socket after use and before every cleaning. Pull the plug, not the mains cable, in order to disconnect the appliance from the mains.
- Do not put any object into openings. Do not use with any opening blocked. Keep free of dust, lint, hair etc.
- Do not use the vacuum cleaner without dust container or dust filter bag in place.
- Do not vacuum any flour, cement, soot, etc, in order to avoid the overloads.
- The appliance should only be cleaned with a dry or damp cloth; it should never be immersed in water. Do not use any solvents for cleaning.
- This appliance is intended for domestic use only and not for commercial applications.
- Avoid the nozzle touching the surface of the furniture.
- Do not use the mains wire to carry the appliance. Do not pull the mains wire over sharp edges.

# Assembly

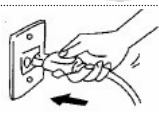


## Operation

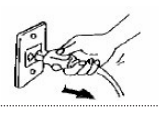
Before you start the appliance, make sure that the filter bag is in the position



Unwind the power cord.



Plug the appliance and switch on.



Unplug the appliance after use.

For use with cold ashes only!

# Cleaning and maintenance:



Open the container.



Take out the filter bag.



Empty the container.



Wash off the filter bag with cleaning water.

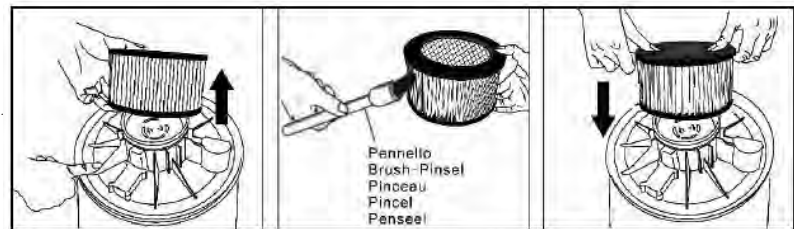


Let the filter bag dry.

To clean the HEPA Cartridge Filter



Assemble the vacuum cleaner.



When the Ash Vac is in use dust will be attracted to the filter,  
To avoid loss of suction the motor must be switched off and the filter cleaned.

To clean the filter, open the two retaining clips and remove the motor/lid assembly

For daily maintenance, hold the lid/motor assembly over the chamber of the Ash Vac and clean the filter by gently tapping, allowing ash dust to fall into the chamber. Then clean between the pleats of the filter using a soft brush.

For weekly maintenance, remove the filter from the motor/lid assembly. It is removed by a simple pulling/twisting motion and tap the filter on a hard surface. Then clean between the pleats of the filter using a soft brush. Refit the filter by pushing into place. If the filter is worn or damaged in any way, it should be replaced immediately.

The chambers of the Ash Vac should be checked regularly and emptied when  $\frac{3}{4}$  full.

The filter should be cleaned whenever a loss of suction occurs. Please check the hose for blockages.

It is recommended that cleaning is performed outdoors.

# Error detection

Before you contact our service center, please check the following:

<b>Problem</b>	<b>Possible reason</b>	<b>Advice</b>
Motor does not start	-Power cord not firmly plugged into outlet -Outlet damaged -Cleaner not switched on	-Plug unit firmly -Check the Outlet -Switch on the appliance
Suction power is weaker	-Unit clogged -Dust filter needs cleaning -Dust container not in position -Filter blocked	-Remove the blockage -Clean the dust filter -Attach the dust container again to the cleaner -Clean the filter

## Guarantee:

This product is guaranteed for a period of one year from the date of purchase. During this period we will remedy all defects free of charge, which can be demonstrably attributed to material or manufacturing defects, by repair or exchange.

This guarantee is only valid if the appliance has been used in accordance with the instructions and provided that it has not been modified, repaired or interfered with, by any unauthorized person, or damaged through misuse.

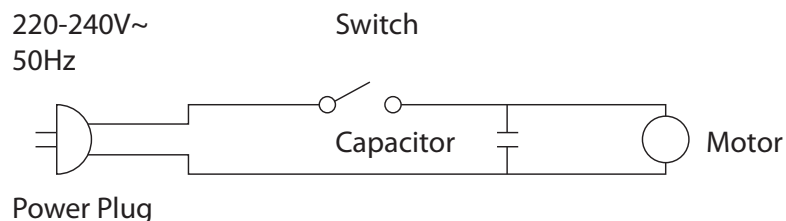
# Technical data:

Rated voltage: 220-240V AC  
Rated frequency: 50/60Hz  
Sound level: <78dB(A)

## Specification:

Vacuum cleaner x 1  
Hose x 1  
Operating instructions x 1  
Aluminium nozzle x 1  
Filter bag x 1  
HEPA x 1

Circuit illustration:



## Replacement filters:



DEFAVF006B -  
Double Chamber  
Replacement Filter Bag



DEFAVF006A -  
Double Chamber  
Replacement Hepa Filter

*Replacement filters can be bought in your local DIY/Hardware store.*

## Contact Details



McLoughlinsRS  
Unit 5,  
Northern Cross Business Park,  
North Road,  
Dublin 11,  
Ireland

Email: [info@mcl.ie](mailto:info@mcl.ie)  
Tel: +353 1 823 9200  
Fax: +353 1 823 9222  
Website: [www.mcl.ie](http://www.mcl.ie)

De Vielle,

Unit 5, Northern Cross Business Park, North Road, Finglas, Dublin 11, Ireland

TEL: +353 1 823 9200

#### EC Declaration of Conformity

We herewith declare, De Vielle, Unit 5, Northern Cross Business Park, North Road, Finglas, Dublin 11, Ireland, that the following product complies with the appropriate basic safety and health requirements of the EC Directive based on its design and type, as brought into circulation by us.

**In case of alteration of the product, not agreed upon by us, this declaration will lose its validity**

Description:	Ash Vac
Model:	DEFAV007
Serial Number:	N/A
Rated input voltage:	220-240 V AC 50 Hz
Rated power input:	1200 W
Applicable EC Directives:	EC Directive of Electromagnetic Compatibility 2004/108/EC
Tested according to:	EN 55014-1:2006+A1:2009 EN 55014-2:1997+A1:2001+A2:2008 EN 61000-3-2:2006+A1:2009+A2:2009 EN 61000-3-3:2008

The crossed out wheelie bin symbol on this item indicates that this appliance needs to be disposed of in an environmentally friendly way when it becomes of no further use or has worn out. Contact your local authority for details of where to take the item for re-cycling.



[www.devielle.ie](http://www.devielle.ie)